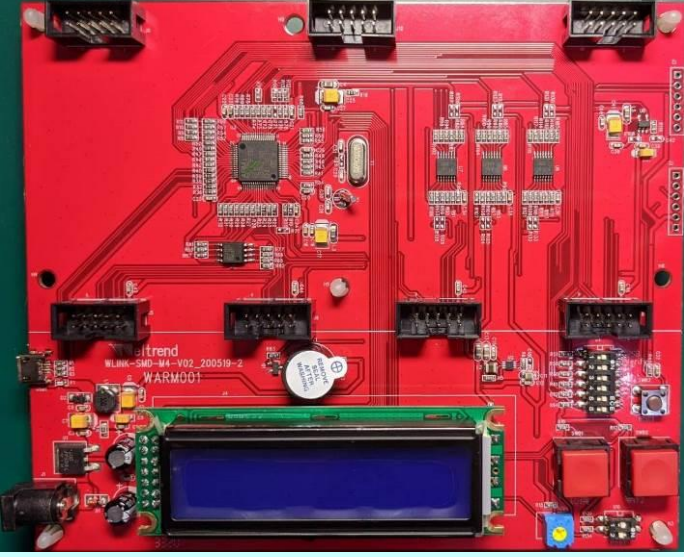
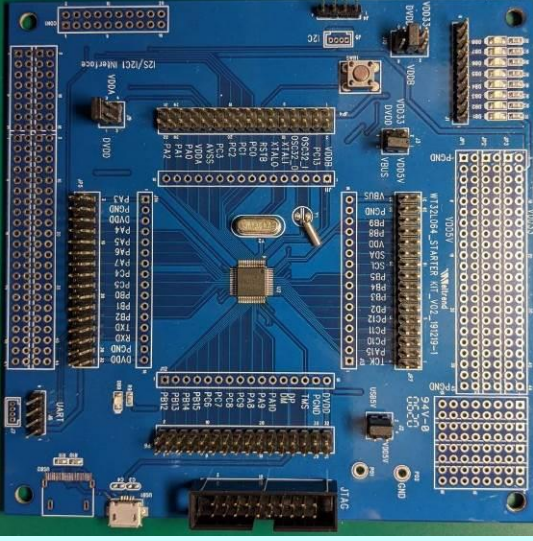
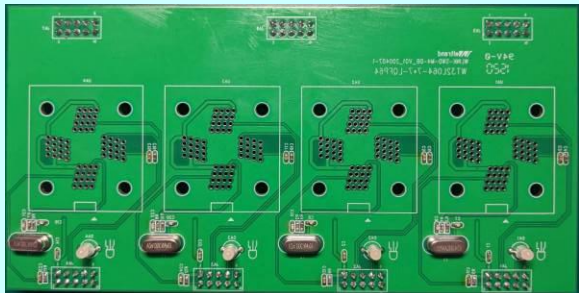
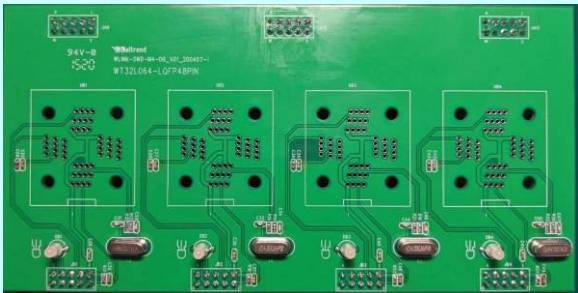
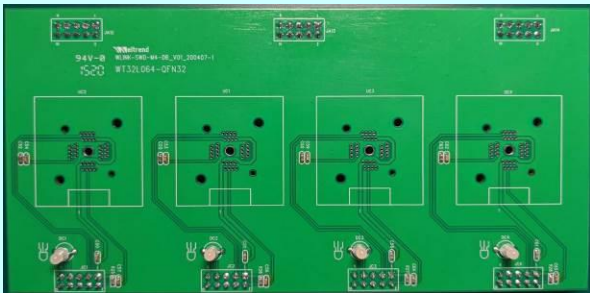



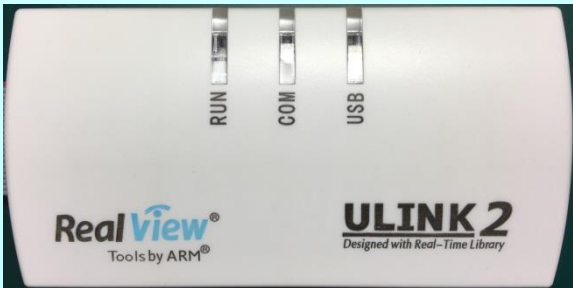
**Weltrend
ARM 32-bit MCU
Evaluation Boards List**

Version: 1.0

Date: 2020/09/03

Item	WLINK-SWD-M4S		WT32L064 Starter Kit Board
Part No.	WARM-001		WARM-002
Price	USD\$ 50		USD\$ 20
Pictures			
Voltage Type	USB 5V / DC12V		USB 5V
Feature	<ul style="list-style-type: none"> ● USB to JTAG ● Support SWD Burn ● Support ON-LINE Burn ● Support OFF-LINE Burn 	Support MCU <ul style="list-style-type: none"> ● WT32L064 ● The corresponding Daughter Board, please refer to the table below: 	<ul style="list-style-type: none"> ● IC Package: LQFP 64 pin ● 8 LED Indicator ● JTAG ISP/ICE Interface

Item	WLINK-SWD-M4S Daughter Board	WLINK-SWD-M4S Daughter Board	WLINK-SWD-M4S Daughter Board
Part No.	WARM-S001	WARM-S002	WARM-S003
Price	USD\$ 10 (Excluding SOCKET)	USD\$ 10 (Excluding SOCKET)	USD\$ 10 (Excluding SOCKET)
Pictures			
Voltage Type	IN: DC 3.3V	IN: DC 3.3V	IN: DC 3.3V
Feature	<ul style="list-style-type: none"> Support W32L064 MCU 1. LQFP64 PKG 	<ul style="list-style-type: none"> Support W32L064 MCU 1. LQFP48 PKG 	<ul style="list-style-type: none"> Support WT32L064 MCU 1. QFN32 PKG

Item	WLINK-SWUT-M4S Daughter Board	ULINK2 Debug Adapter	
Part No.	WARM-S004	ULINK 2	
Price	USD\$ 10 (Excluding SOCKET)	USD\$ 30	
Pictures			
Voltage Type	IN: DC 3.3V	USB 5V	
Feature	<ul style="list-style-type: none"> ● Support WT32L064 MCU <ol style="list-style-type: none"> 1. Support COB PKG or PCBA 	<ul style="list-style-type: none"> ● Serial Wire Debug (SWD) support for ARM Cortex-M based devices ● Outsourcing product 	