

**WLINK-I<sup>2</sup>C Adapter  
Installation Manual**

REV. 1.0

May 7, 2012

Ver.	Date	Applicant	Description
1.0	2012.05.07		

## Table of Content

<b>TABLE OF CONTENT</b> .....	<b>3</b>
<b>CHAPTER 1: WLINK ADAPTERS DRIVER INSTALLATION DESCRIPTION</b> .....	<b>4</b>
1.1    WLINK USB TO I2C INSTALLATION DESCRIPTION .....	4
<b>CHAPTER 2: WLINK-I<sup>2</sup>C HARDWARE DESCRIPTION</b> .....	<b>7</b>
2.1    WLINK-I <sup>2</sup> C HARDWARE BLOCK DIAGRAM .....	7
2.2    PCB COMPONENTS LOCATION .....	7
2.3    USB (TYPE A MALE) CONNECTOR .....	8
2.4    I <sup>2</sup> C ISP (IN-SYSTEM PROGRAMMING) 7PIN INTERFACE PORT J5 .....	8
2.5    I <sup>2</sup> C ISP (IN-SYSTEM PROGRAMMING) 6PIN INTERFACE PORT J4 .....	9
2.6    2.0 MM PIN PITCH, JUMP SPEC. ....	9
2.7    2.54 MM PIN PITCH JUMP SPEC .....	10
<b>CHAPTER 3: APPENDIX</b> .....	<b>11</b>
3.1    CIRCUIT .....	11
3.2    PRODUCT OUTLINE .....	12
3.3    SUPPORTING PRODUCT SERIALS .....	12
3.4    ORDERING INFORMATION .....	12

## Chapter 1: WLINK Adapters Driver installation Description

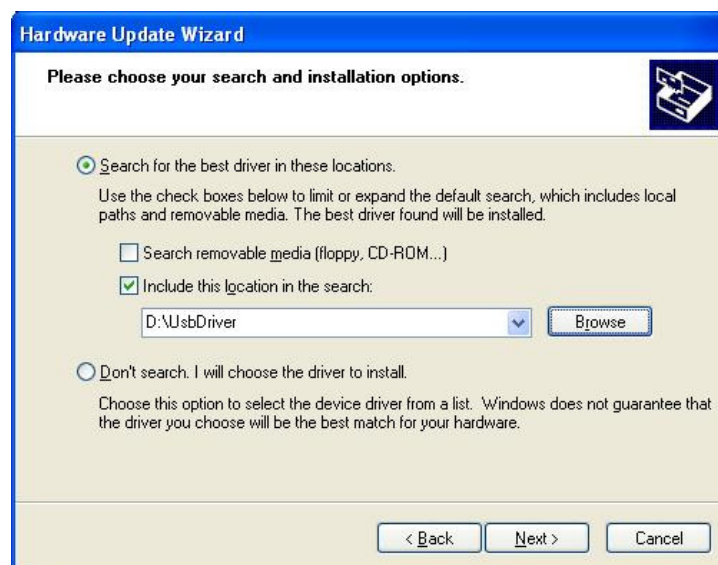
### 1.1 WLINK USB to I2C Installation Description

**【Step 1】** Go to Weltrend website and copy Driver folder to your computer, there are two files in the folder, they are WT6563F.INF and WT6563F.sys.

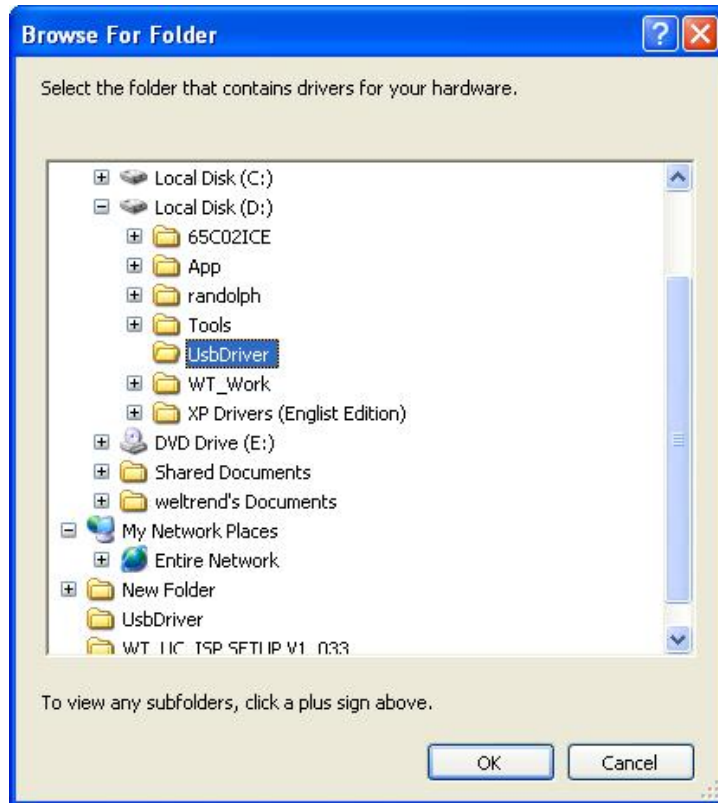
**【Step 2】** Install WLINK-I<sup>2</sup>C Adapter USB to I<sup>2</sup>C driver  
Connect WLINK Adapter USB to PC USB, now Windows will show the figure “Welcome to the Hardware Update Wizard” choose “Install from a list or specific location (Advanced)” , then press “Next” .



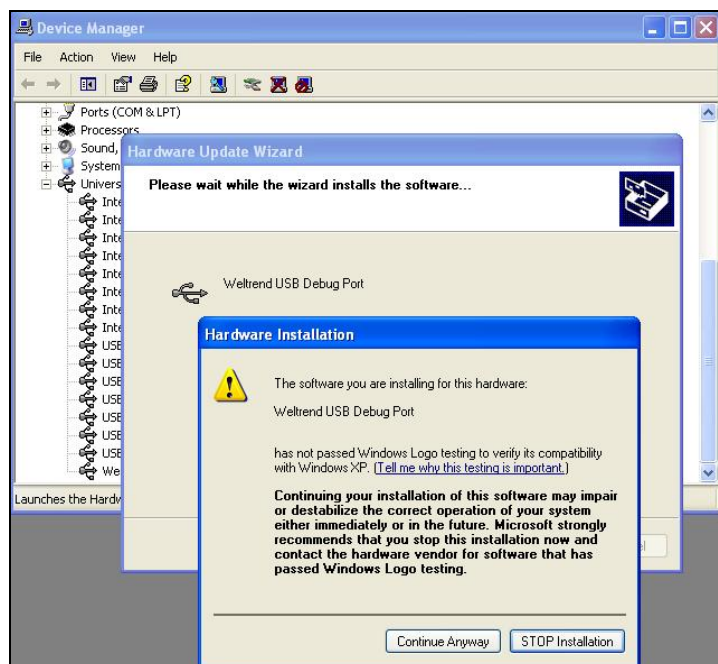
**【Step 3】** Choose “Include this location in the search”, then press “Browse”.



**【Step 4】** Choose WLINK Adapters driver folder, and press “ok” then the figure will back to **【Step 3】** , Then press “Next”, it will search appropriate driver for specific path.



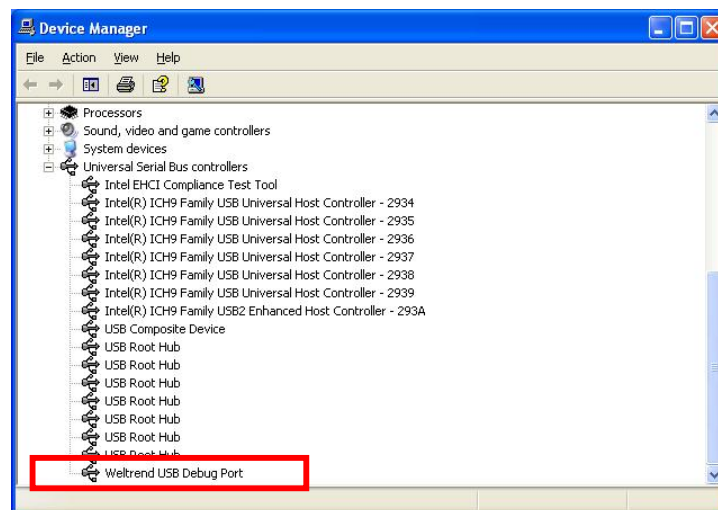
**【Step 5】** Now PC is ready to install WLINK Adapters driver, but must choose “Continue Anyway”.



**【Step 6】** Now the figure shows the Wizard has finished installing the software successfully, then press “Finish” and exit installation figure.



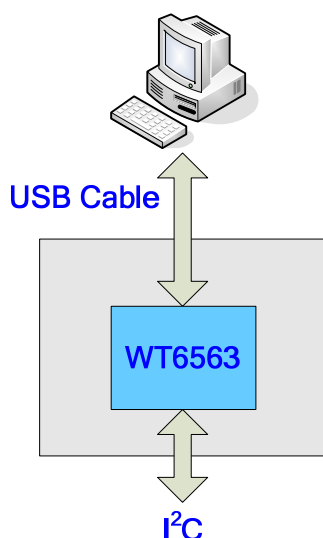
**【Step 7】** After installing driver, it can open PC’s Device Manager, and see “Weltrend USB Debug Port” means WLINK-I<sup>2</sup>C Adapter installation has finished.



## Chapter 2: WLINK-I<sup>2</sup>C Hardware Description

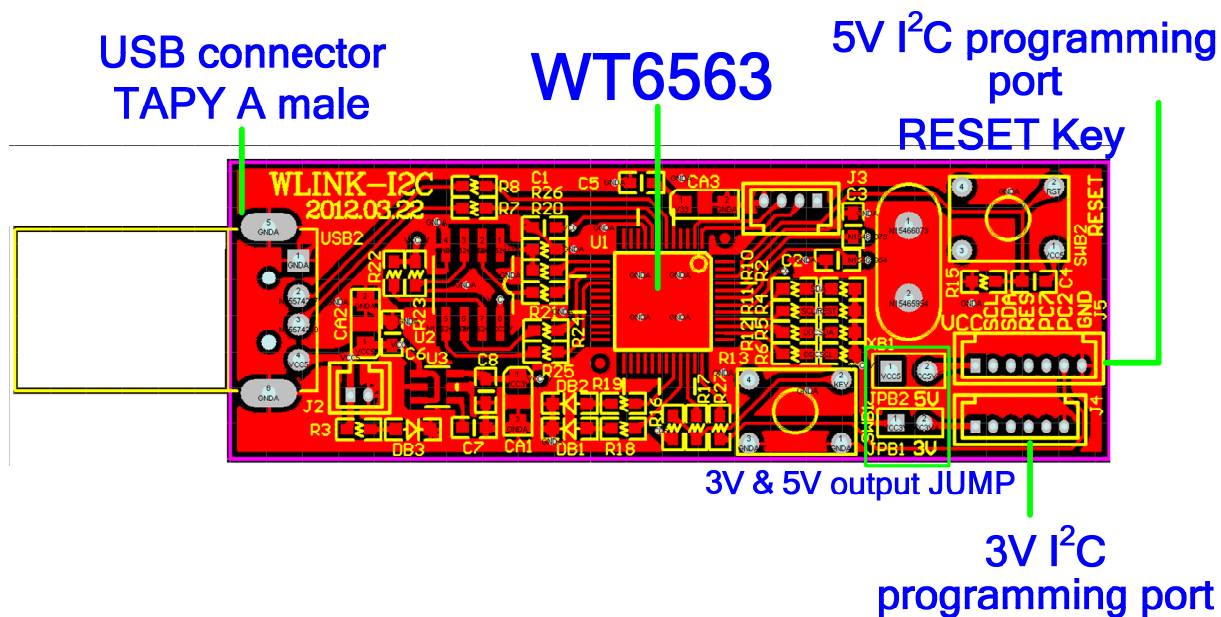
### 2.1 WLINK-I<sup>2</sup>C Hardware Block Diagram

Use WT6563 USB to I<sup>2</sup>C driver chip.

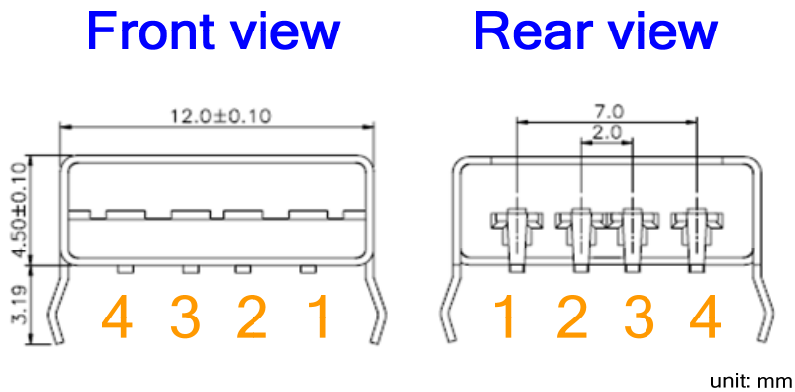


### 2.2 PCB Components Location

Use WT6563 USB to I<sup>2</sup>C driver chip.



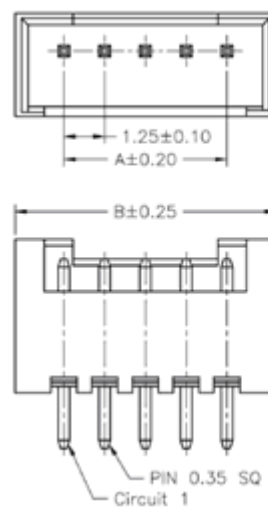
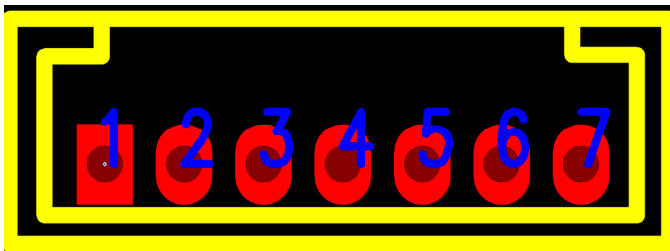
**2.3 USB (TYPE A male) Connector**



Pad Number	Description
1	5V
2	D-
3	D+
4	GND

**2.4 I<sup>2</sup>C ISP (In-System Programming) 7pin interface port J5**

5V I<sup>2</sup>C interface port pitch (1.25 mm)



Ordering Information & Dimension

PART NO.	Dimensions	
	A	B
7P	7.50	10.50
8P	8.75	11.75
9P	10.00	13.00
10P	11.25	14.25
11P	12.50	15.50
12P	13.75	16.75
13P	15.00	18.00
14P	16.25	19.25
15P	17.50	20.50

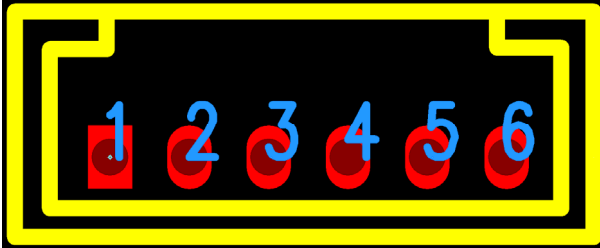
Pad	Description	Pad	Description
1	5V	5	PC7
2	SCL	6	PC2
3	SDA	7	GND
4	RESET		



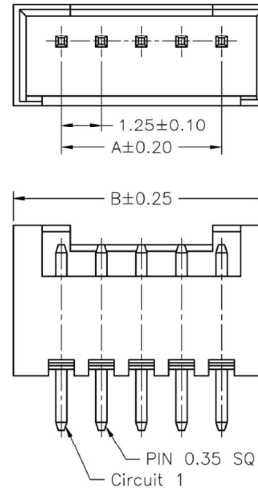
## 2.5 I<sup>2</sup>C ISP (In-System Programming) 6pin Interface Port J4

3V I<sup>2</sup>C interface port

pin pitch (1.25 mm)



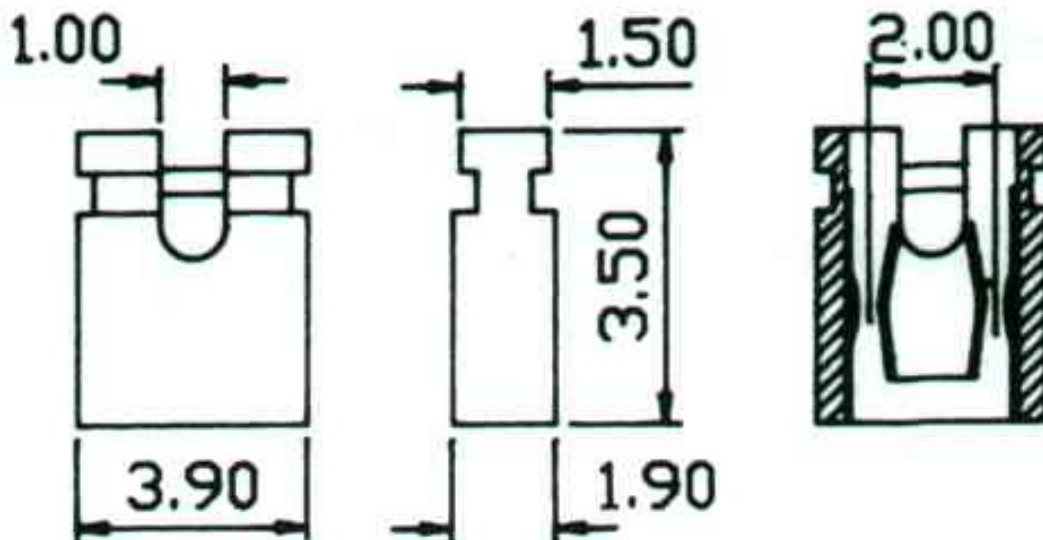
Pad	Description	Pad	Description
1	3.3V	4	RESET
2	SCL	5	PC7
3	SDA	6	GND



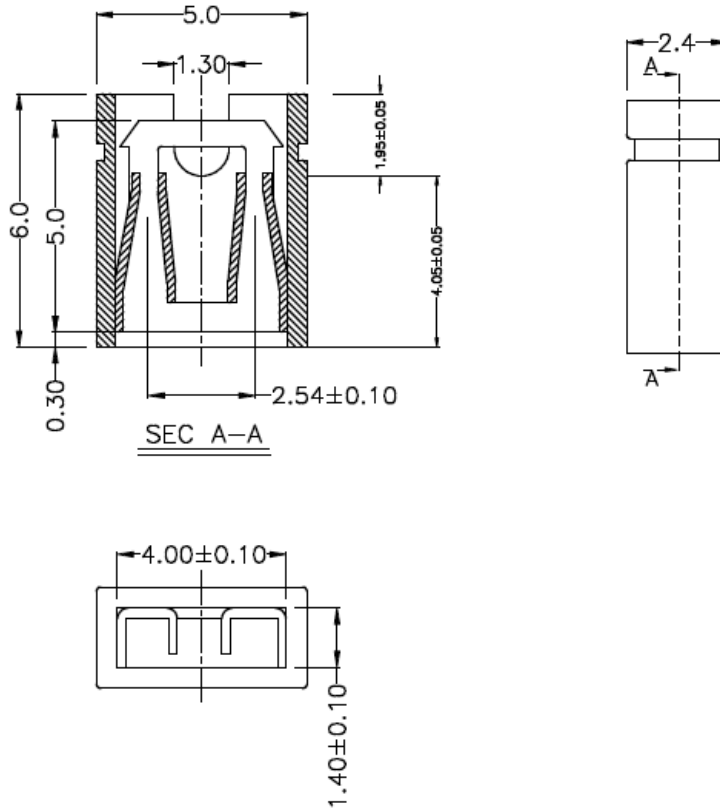
Ordering Information & Dimensions

PART NO.	Dimensions	
	A	B
2P	1.25	4.25
3P	2.50	5.50
4P	3.75	6.75
5P	5.00	8.00
6P	6.25	9.25
7P	7.50	10.50
8P	8.75	11.75
9P	10.00	13.00
10P	11.25	14.25
11P	12.50	15.50
12P	13.75	16.75
13P	15.00	18.00
14P	16.25	19.25
15P	17.50	20.50

## 2.6 2.0 mm pin pitch, JUMP spec.

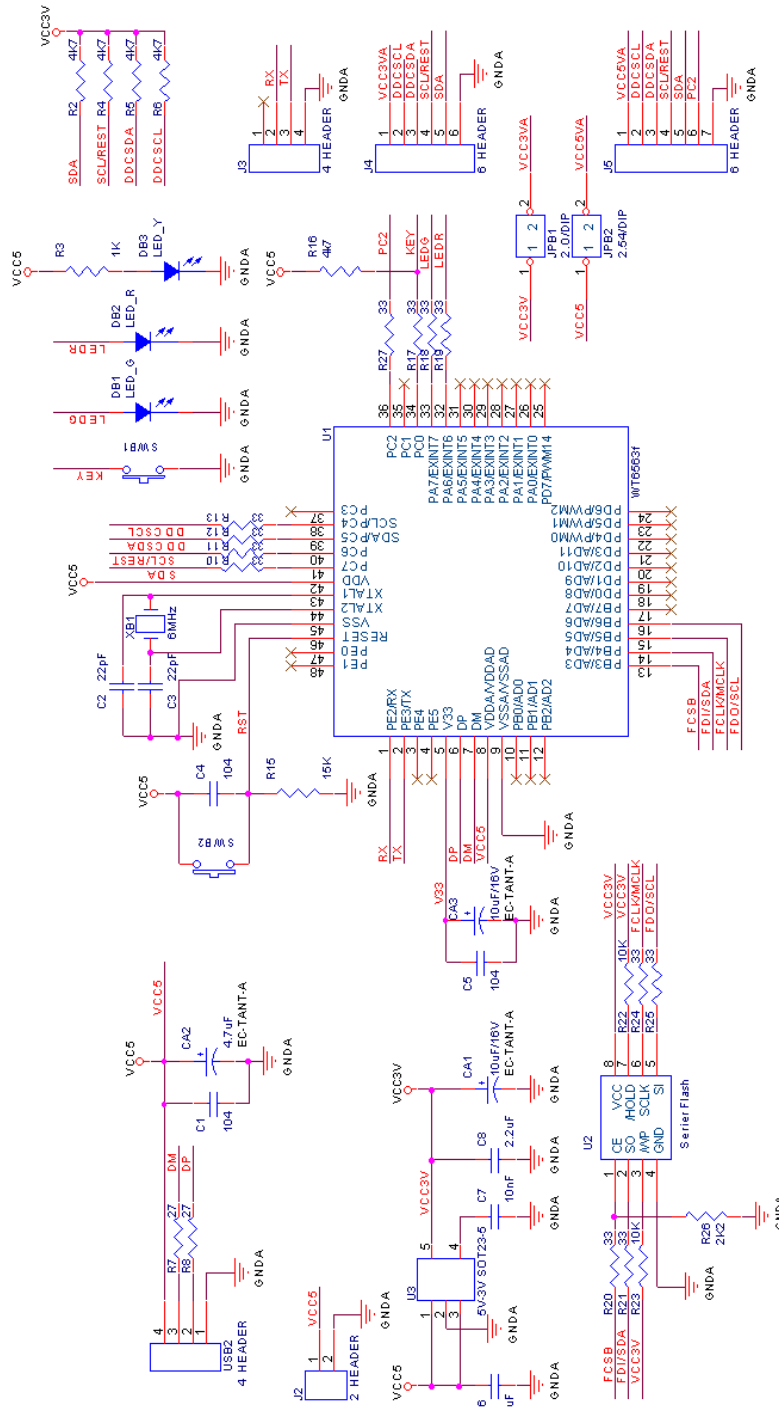


**2.7 2.54 mm Pin Pitch JUMP spec**



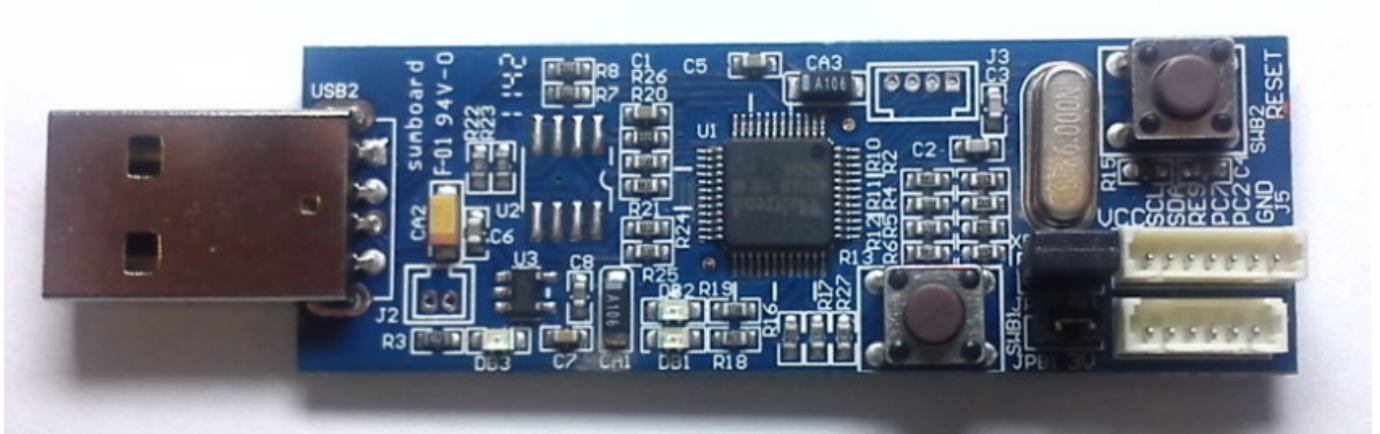
**Chapter 3: Appendix**

**3.1 Circuit**



## 3.2 Product Outline

Use WT6563 USB to I<sup>2</sup>C driver chip



## 3.3 Supporting Product Serials

Product Number	Product Name	Remark
WT51F516	With a variety of functions, 8052 micro-controller enhanced	

## 3.4 Ordering Information

Kit Name	Product Name	No.
ISP Board WLINK-I <sup>2</sup> C	ISP Board WLINK-I <sup>2</sup> C	
	WLINK-I <sup>2</sup> C Installation Manual	