

偉詮電子股份有限公司
Weltrend Semiconductor, Inc.

BofA 2025亞洲科技論壇

林崇燾
執行長

蔡孟哲
營運長

郭幸容
財務長及發言人

3/17/2025

免責聲明

本次法說會所提供之簡報內容包括對於未來狀況之預測及評估，這些關於未來狀況之陳述乃基於公司目前可得資料所做的預測，涉及風險及不確定性，並可能發生實際結果與預期狀況有重大差異的情形，提醒各位投資人不要過度依賴這些資訊。

36年的資深IC設計公司

創立

1989年7月，偉詮電子成立於台灣新竹科學園區

資本額

新台幣17.8億元

員工人數

295 (偉詮); 350+ (集團) (至4Q24底)



主要業務

- 偉詮與陞達自有品牌IC產品及客戶委託IC產品
- 代理銷售國外知名品牌電子零組件，例如: ROHM

各項殊榮

- 1995 – 榮獲國家磐石獎，是新竹科學園區首家獲此殊榮的廠商
- 1997 – 股票上櫃，2000年轉上市(股票代號：2436)
- 2008 – 榮獲「2008勤業眾信台灣高科技Fast 50」並多次榮獲知名財經雜誌評定為獲利力及股東報酬率最績優公司之一
- 2015 – 車用電子研發團隊獲頒中華民國科技管理學會第十七屆科技管理獎
- 2016 – 獲評第三屆公司治理評鑑最優前20%並榮獲最佳進步獎
- 2019 – 獲選Embedded Advisor雜誌「2019亞太十大消費性電子方案供應商」
- 2021 – 獲選 2021 EE Awards Asia 年度最佳電源IC產品獎
- 2023 – 榮獲2023「台灣併購金鑫獎」之「中堅企業併購獎」



Power and Motor as dual growth engines plus Image Solutions for niche applications and all with a MCU foundation

Power Management

- AC/DC switching regulators
 - PWM controllers
 - Synchronous rectifier (SR)
- USB PD controllers
 - DFP (Source) controllers
 - DRP (Source/Sink) controllers
- Fast charge protocol controllers
 - Sink controllers
 - Source controllers
- E-marker IC
- Supervisor ICs
- Wireless power controllers
- LED drivers

Amplifiers

- Op amps
 - General-purpose op amps
 - Power op amps

Imaging Solutions

- ADAS SoCs
- Barcode decoders
- Display MCUs
- Imaging processors
- Projector processors
- Video display processors

Interfaces

- Boosted NFC cards
- Smart card interface ICs and Magnetic stripe decoders
- Touch screen controllers
- USB
 - USB-C connectivity
 - USB-based HID controllers

Motor

- Motor drivers
- BLDC motor drivers and controllers

Microcontrollers (MCUs)

- 8-bit MCUs
 - General-purpose MCUs
- 32-bit MCUs
 - Andes-based 32-bit MCUs
 - Arm-based 32-bit MCUs
- Application-specific MCUs
 - USB-based HID controllers
 - USB host and SD port file management controllers
 - Vital sign measurement MCUs

Unique Combination of Technical Core
Competences bringing *intelligence* into *Power,*
Drivers, and Analogs

High-
voltage

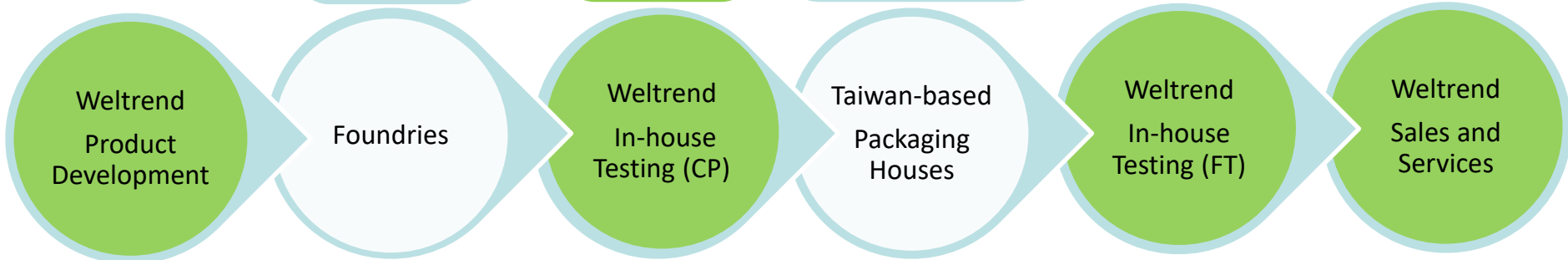
MCU



Algorithm

Firmware

高品質供應鏈



- 採用最高品質之晶圓代工
- 自有晶圓及IC測試工廠
- 通過完整之品質認證



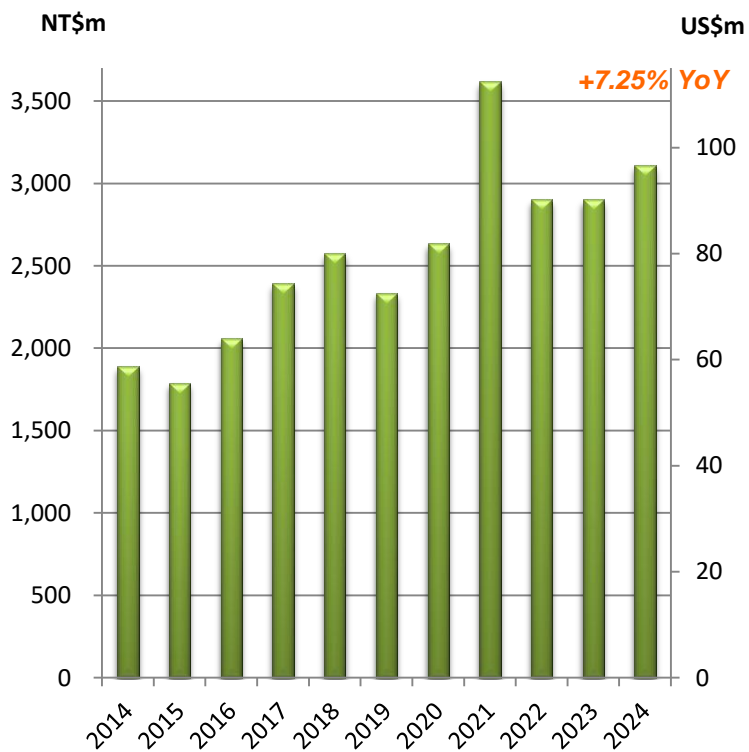
主要客戶



2024合併損益表(YoY)

(單位：新台幣仟元，惟每股盈餘為元)

Consolidate Revenues



	2024	%	2023	%	YoY %
營業收入淨額	3,094,619	100	2,885,560	100	7
營業毛利	922,485	30	781,775	27	18
營業費用合計	(758,422)	(25)	(739,945)	(25)	2
銷管費用	(312,981)	(11)	(295,756)	(10)	6
研究發展費用	(445,441)	(14)	(444,189)	(15)	0
營業淨利	164,063	5	41,830	2	292
營業外收(支)合計	181,768	6	184,656	6	(2)
本期稅前淨利	345,831	11	226,486	8	53
所得稅(費用)	(50,966)	(1)	(19,400)	(1)	163
本期淨利	294,865	10	207,086	7	42
基本每股盈餘(元)	1.57		1.18		33

2024 Product Mix (YoY) – *USB PD Controllers and Motor Controllers* drove the growth and accounted for 47% of 2024 Revenues

(Expressed in NT\$K)

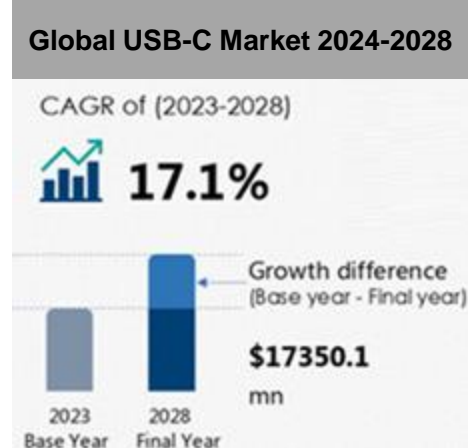
	2024	%	2023	%	YoY
Power	1,253,744	41%	1,203,219	42%	+4%
Smart Applications	852,968	27%	703,290	24%	+21%
Own Brand Products	2,106,712	68%	1,906,509	66%	+11%
Distribution Products	987,907	32%	979,051	34%	+1%
Total	3,094,619	100%	2,885,560	100%	+7%



Image Source: Internet

Weltrend Semiconductor, Inc.

Global Leader in USB PD for Power Source Applications



Source: Technavio


Image Source: USB-IF, Internet

USB-C is fast becoming the universal charging standard and supporting more devices –

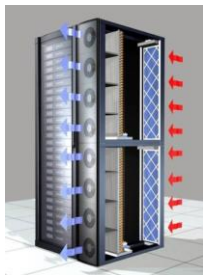
- The latest **USB PD 3.1** spec extends the maximum power over USB-C to **240W** from 100W, supporting more devices such as gaming notebooks, household appliances, e-bikes, and other higher powered devices
- **EU's Common Charger Directive** requires that all new devices sold in the EU must support USB-C charging from Dec, 2024 (laptops in April, 2026).

Smart Cooling – Comprehensive *Air Cooling* and *Liquid Cooling* Solutions for Data Centers, Edge Devices, and beyond






Fan Array




Side-car Fan




**Water Pump/
Leakage
Detection/
Valve Control**

Server/Telecom



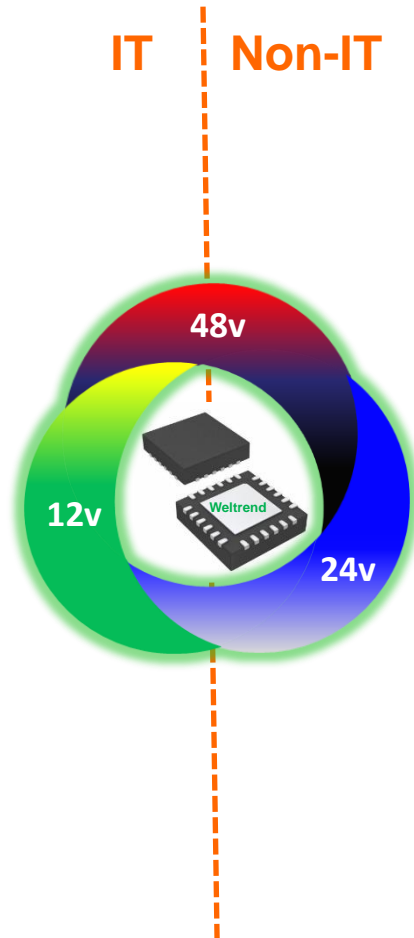


AI PC

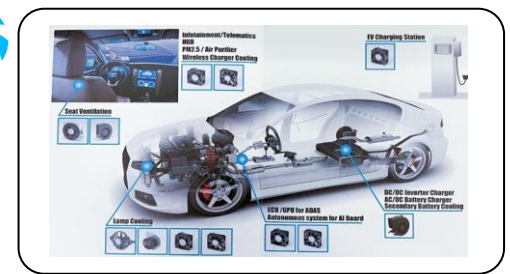


**Crypto Mining
/Gaming
/Graphic Card**

Edge Devices



Home Appliances

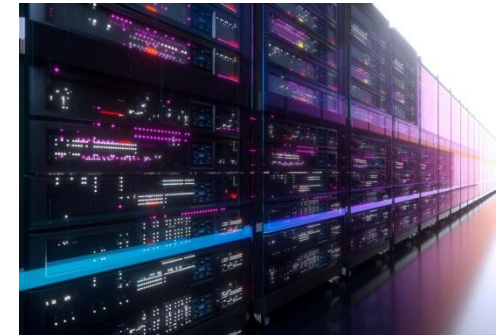


Automotive



Renewable Energy

Analogy between USB-C Power Adapter for notebook PC and Server Cooling Fan for data centers – *Well positioned for another global market share leader*



	USB-C Power Adapter for NB	Server Cooling Fan
Application Market	Notebook PC	Server
Device TAM	~155m (excluding Apple)	~13.6m
Weltrend IC per Unit	1	~12
Market IC TAM (Units)	~155m	~163m
Weltrend ASP (US\$)	~\$0.3	~\$0.3+
Weltrend TAM (US\$)	~\$47m	~\$49m
Weltrend Market Share	70%+ (#1)*	30%+ and growing

**based on 50% USB-C penetration rate*

Image Source: Internet

Weltrend Semiconductor, Inc.

Recent Business Highlights

2022.5	Weltrend Announces Availability of the WT6620F USB PD 3.1 Controller with DisplayPort Alternate Mode
2022.7	Weltrend Announces Appointments of New President and Senior Executives
2022.8	Weltrend Successfully Completed the Tender Offer to Acquire the Shares of Sentelic at a Price of NT\$72.9
2023.1	Transphorm and Weltrend Semiconductor Partner to Release Integrated GaN System-in-Package
2023.9	Weltrend issued Company's 1 st Domestic Unsecured Convertible Corporate Bonds for a face value of NT\$1.10bn
2023.11	Weltrend Passes ISO 14064 Greenhouse Gas Emission Verification
2023.12	Weltrend receives " Medium-sized Enterprises M&A Deal Award " from the 2023 MAPECT Taiwan M&A Awards
2025.3	Weltrend and Sentelic Board of Directors Approved Consolidation via Share Swap

Q & A

www.weltrend.com.tw

附錄

財務資訊

4Q24合併損益表(YoY)

(單位：新台幣仟元，惟每股盈餘為元)

	4Q24	%	4Q23	%	YoY %
營業收入淨額	836,187	100	794,044	100	5
營業毛利	254,440	30	249,464	31	2
營業費用合計	(212,158)	(25)	(185,821)	(23)	14
銷管費用	(86,947)	(10)	(73,656)	(9)	18
研究發展費用	(125,211)	(15)	(112,165)	(14)	12
營業淨利	42,282	5	63,643	8	(34)
營業外收(支)合計	64,640	8	(57,927)	(7)	212
本期稅前淨利	106,922	13	5,716	1	1,771
所得稅(費用)利益	(15,957)	(2)	10,482	1	252
本期淨利	90,965	11	16,198	2	462
基本每股盈餘(元)	0.48		0.11		336

4Q24合併損益表(QoQ)

(單位：新台幣仟元，惟每股盈餘為元)

	4Q24	%	3Q24	%	QoQ %
營業收入淨額	836,187	100	847,481	100	(1)
營業毛利	254,440	30	254,582	30	(0)
營業費用合計	(212,158)	(25)	(170,520)	(20)	24
銷管費用	(86,947)	(10)	(73,268)	(9)	19
研究發展費用	(125,211)	(15)	(97,252)	(11)	29
營業淨利	42,282	5	84,062	10	(50)
營業外收(支)合計	64,640	8	(67,863)	(8)	195
本期稅前淨利	106,922	13	16,199	2	560
所得稅(費用)	(15,957)	(2)	(2,472)	(0)	546
本期淨利	90,965	11	13,727	2	563
基本每股盈餘(元)	0.48		0.08		500

資產負債表

(單位：新台幣仟元，惟每股淨值為元)

	2024/12/31	2024/9/30
現金及有價金融商品投資	2,197,376	2,279,623
應收票據帳款	1,026,074	988,556
存貨	820,449	799,009
不動產、廠房及設備	198,070	202,683
無形資產及商譽	1,018,368	1,037,301
其他資產	713,987	680,410
總資產	5,974,324	5,987,582
短期借款	135,618	313,485
其他流動負債	1,704,265	1,578,313
非流動負債	179,170	180,971
股東權益	3,955,271	3,914,813
每股淨值	19.39	19.20

近五年每股盈餘及現金股利

	2020	2021	2022	2023	2024
EPS (NT\$)	1.94	4.25	0.83	1.18	1.57
Cash Dividend (NT\$/share)	1.6	3	1.20	1.20	1.5



偉詮電子股份有限公司
Weltrend Semiconductor, Inc.

Headquarters

2F, No. 24, Industry E. 9th Rd.
Hsinchu Science Park
Hsinchu City 30075, Taiwan
Tel: +886-3-578-0241

Taipei Office

11F-6, No. 736, Chungcheng Rd.
Chungho District
New Taipei City 23511, Taiwan
Tel: +886-2-8226-1899

Kaohsiung Branch

22F-6., No. 211, Chungcheng 4th Rd.
Cianjin District
Kaohsiung City 801, Taiwan
Tel: +886-7-971-8868

www.weltrend.com

THANK YOU!